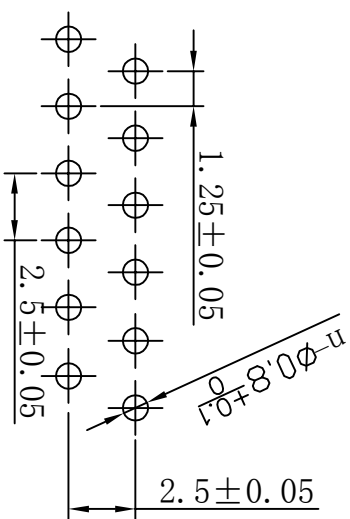
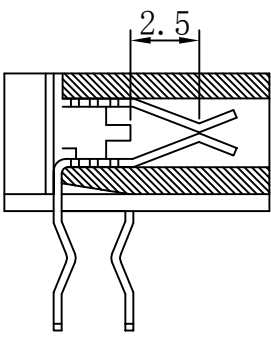
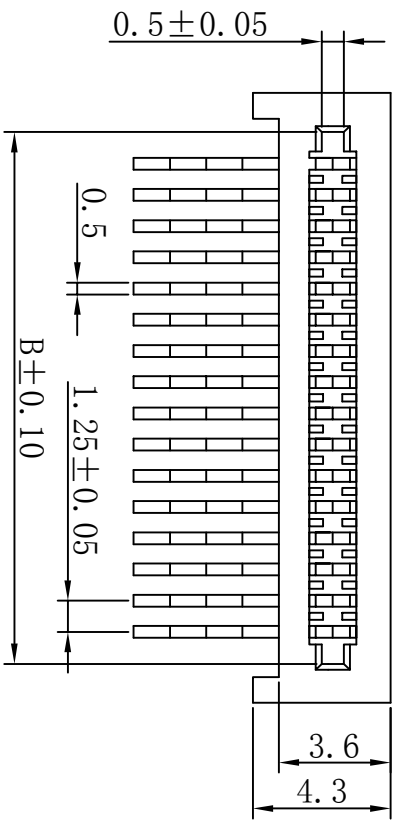
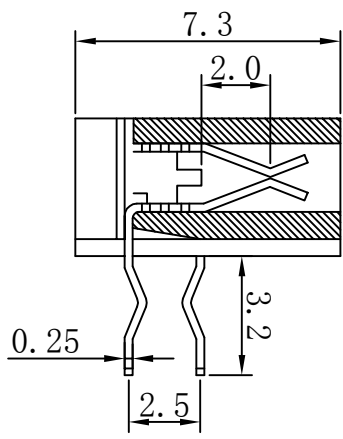
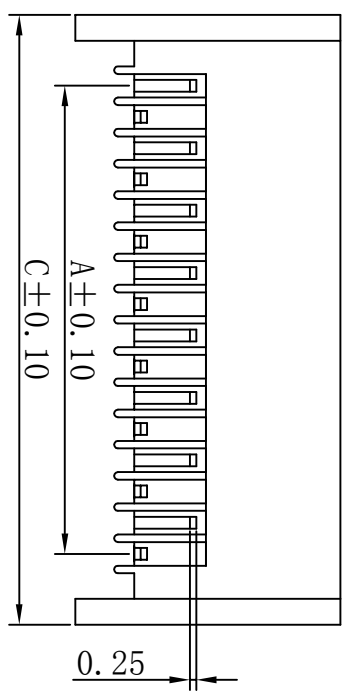


SPECIFICATIONS

Poles: 8-32
 Applicable PC board thickness: 0.8-1.6mm
 Voltage rating: AC, DC, 100V (50Hz)
 Current rating: 1A, AC, DC
 Withstand voltage: 800V AC/minute
 Working Temperature: -25° C-+85° C
 Insulation resistance: >=1000M
 Contact resistance: >=20m
 Dual Contact
 MATERIAL
 Contact: Phosphor Bronze Tin-Lead plated
 Housing: Thermoplastic (UL94V-0)



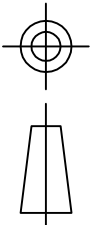
Poles	A	B	C
8	8.75	11.4	13.75
9	10.0	12.65	15.0
10	11.25	13.9	16.25
.	.	.	.
.	.	.	.
30	36.25	38.90	41.25
31	37.5	40.15	42.5
32	38.75	41.14	43.75

P.C.B Layout

深圳市永连旺电子有限公司

FPC PITCH1.25mm DIP

Customer:	Approval:	Unit	Scale	Date
Drawing No:	Check:	mm		12.05.13



P/N0:	Pin Longer:
Signatuer:	