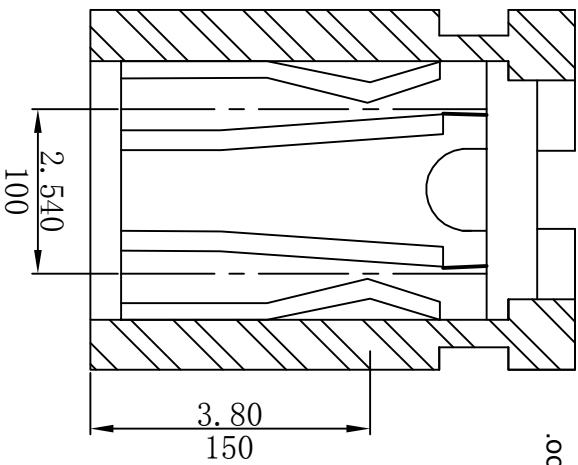
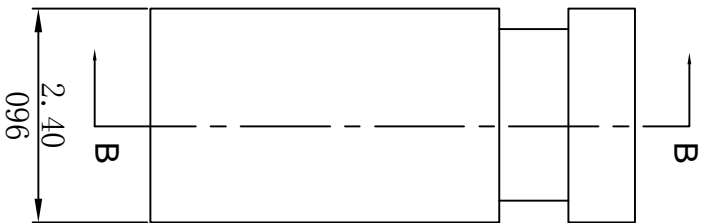
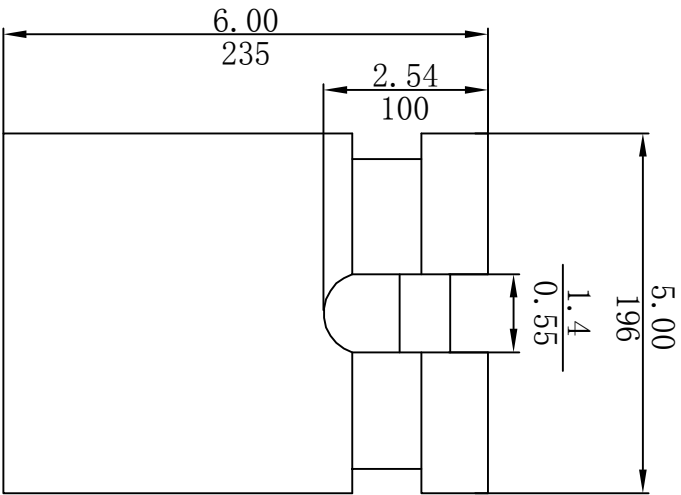


深圳市永连旺电子有限公司



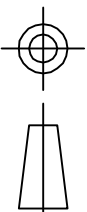
SECTION B-B

Current Rating: 3Amp
 Insulator resistance: 5000 megohms min
 Dielectric Withstanding: AC 1000V
 Operating Temperature: -40° ~ +105° C
 Contact Material: Copper Alloy
 Insulator Material: Polyester, UL 94V-0
 Standard: P. B. 1

UNIT: $\frac{\text{mm}}{\text{inch}}$

插板 PH2.54-2P 2口

Customer:	Approval:	Unit	Scale	Date
Drawing No:	Check:	mm		15.02.16



P/NO:

Pin Longer:

Signatuer: